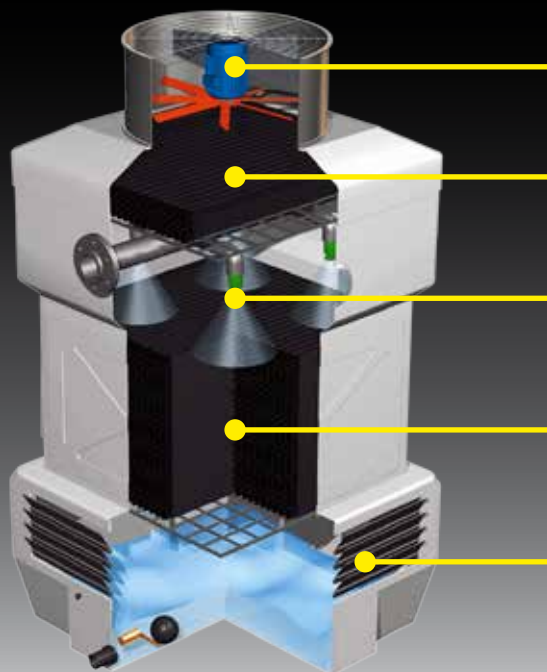




After-sales services and spare parts



Motor fans

EUROVENT certified,
high-efficiency drift eliminators

Water spray nozzles and distribution systems

Fill packs, for different kind of waters:
industrially clean, very clean,
moderately dirty, very dirty

Air louvers

After-sales SERVICES

- **Assistance during handling and installation:** support by qualified technicians for operations such as handling and/or positioning of the machine
- **Start-up assistance:** qualified technicians for possible assistance with all the start-up

operations to ensure perfect functioning and check the main parameters (absorption and pressures of the circuit)

- **Cleaning and sanitisation of the machine**
- **Extended warranty:** for parts not subject to normal wear,

there will be an extension of 24 months from the standard warranty end date

- **Original spare-parts, set for the first 5 years of operation:** at an attractive price, always with the certainty of immediate availability
- **Scheduled maintenance:** checks completed in due time, to ensure the efficient cooling, perfect functionality and maximum productivity of your plant, especially on the hottest days
- **Courses and technical training:** staff training courses to learn how to properly service and operate the machine



SPARE PARTS

To get the maximum performance with minimum energy and management consumption, it is important that your cooler is always maintained at maximum efficiency. Checking the general condition of the main parts (in the case of an evaporative cooling tower: fill pack, motor fan unit, distribution, etc.), allows to maintain the functionality over time.

For this purpose MITA offers a wide range of **SPARE PARTS**, solutions to restore and ensure the initial efficiency.



"Axial" nozzles



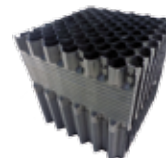
"Tangential" nozzles



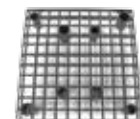
"K" fill pack panel with 19 mm FLUTE (PVC or PP)



"K" fill pack panel with 12 mm FLUTE (in PP)



"NVP" antifouling fill pack panel (in PVC or PP)



"GS" fill panel in PP



Via del Benessere, 13
27010 Siziano (PV) - Italy
+39 0382.67599 - info@mitact.it

